

## Features

- Universal input 90~264V AC
- Direct Euro Fixed Plugtop Adapters
- Approved to UKCA, CE, TUV-GS & RoHS
- Operating temperature 0~40°C
- IEC/EN 62368-1 Safety Approved
- Meets Efficiency Level VI & (EU) 2019/1782
- Output Voltage 5V AC
- OVP, OCP, OTP, SCP



Image for Illustration Purpose  
Models may vary

Ideal Power's 15DYS836-xyW-2-RS 40W AC/DC External Adapter Euro Plugtop Power Supply (PSU) Series are certified to UKCA, CE, TUV-GS, RoHS & EN 62368-1/IEC 62368-1 Standards and comply with (EU) 2019/1782, Level VI Efficiency Regulations. These are primarily used in ITE, Audio & Video Industries and customised solutions are available upon request.

### Models

Model Number	Output Voltage (V dc)	Output Current (A)	Output Power (W)	Efficiency (%)
15DYS836-050500W-2-RS	5	5	25	84.24
15DYS836-240166W-2-RS	24	1.66	40	87.58

### Input Data

	Min	Typical	Max	Units	Notes
Input Voltage	90	--	264	V AC	100-240VAC +/- 10%
Input Frequency	47	--	63	Hz	50-60Hz +/- 5%
Input Current	--	--	1.0	A	@ 100-240Vac input & Full load
Inrush Current	0	--	60	A	@ cold start, 100 / 240V AC
Energy Consumption	--	--	0.1	W	Input 115Vac or 230Vac and no output load

### Output Data

	Min	Typical	Max	Units	Notes
Output Current Range	0.0	--	5	A	
Ripple & Noise	240	--	300	mVp-p	Model Dependant
Line Regulation	--	+3	--	A	@ 100 Vac to 240 Vac input & Full load
Load Regulation	--	+5	--	%	
Turn-on Delay Time	--	--	3	S	@ 100 Vac to 240 Vac input & Full load
Hold-up Time	5	--	--	S	@ Full load & 115Vac at full load

**Protection Requirements**

	Min	Typical	Max	Units	Notes
Over Current Protection	--	--	6.5	A	Will recover if fault condition is removed
Short Circuit Protection					Will recover if fault condition is removed
Over Voltage Protection					Will recover if fault condition is removed

**Environmental Data**

	Min	Typical	Max	Units	Notes
Operating Temperature	0	--	+40	°C	
Storage Temperature	-20	--	+80	°C	
Operating Humidity	10	--	90	%	non condensing
Relative Humidity	5	--	95	%	non condensing
Vibration	10	--	300	Hz	sweep at a constant acceleration of 1.0G(Breadth: 3.5mm) for 1Hour for each of the perpendicular axes X, Y, Z

**Reliability Requirements**

	Min	Typical	Max	Units	Notes
Burn-in	4	--	--	Hrs	Under normal input and 80% rated load at 40°C ± 5°C
MTBF	--	50,000	--	Hrs	@25°C Full load and nominal input
Dielectric Strength	--	--	5	mA	4242Vdc / 60s (3s for mass production)
Leakage Current	--	--	0.25	mA	@ 264Vac / 50H
Insulation Resistance	50	--	--	mΩ	@primary to secondary add 500Vdc test voltage

**EMI/EMS Standards**

	Test Level	Test Criteria
EMI	FCC PART 15 Class B EN 55032	
EMS	EN 55035	
ESD	IEC 61000-4-2	Air +/-8KV – Contact +/-4KV B
EFT	IEC 61000-4-4	0.5KV/1KV A/B
Surge	IEC 61000-4-5	+/-1KV - +/-2KV A

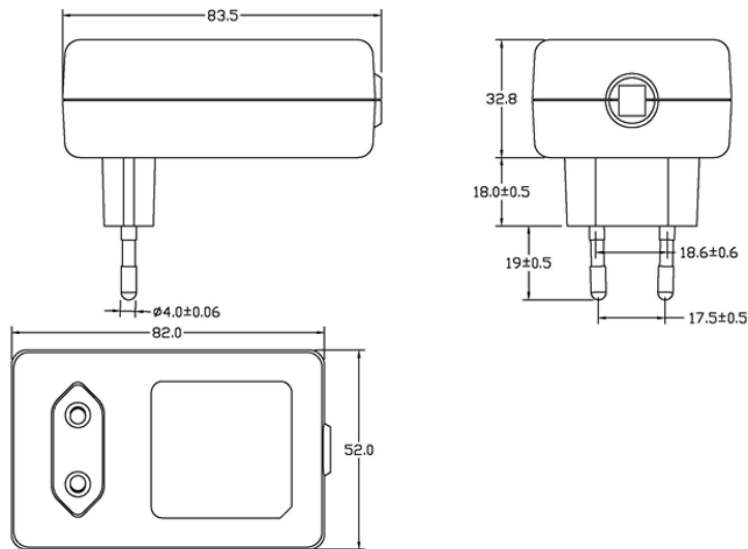
**Safety Approvals**

	Safety Standards
Safety Standards	IEC/EN 62368-1, approved
Approvals	UKCA, CE, TUV-GS, RoHS

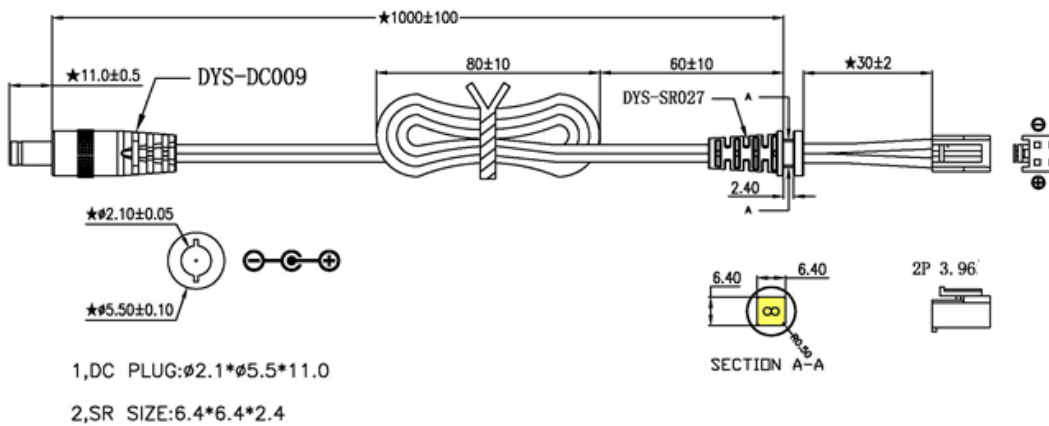
**Product Information**

	Notes
Dimensions	83.5 x 52 x 69.8mm
Output Cord	UL2468 16AWG 1000mm
Output Connector	DC Plug: 2.1 x 5.5 x 11.0mm

Mechanical & Cable Drawing



Typical Cable Drawing



Label Drawing

Typical Label Drawing

